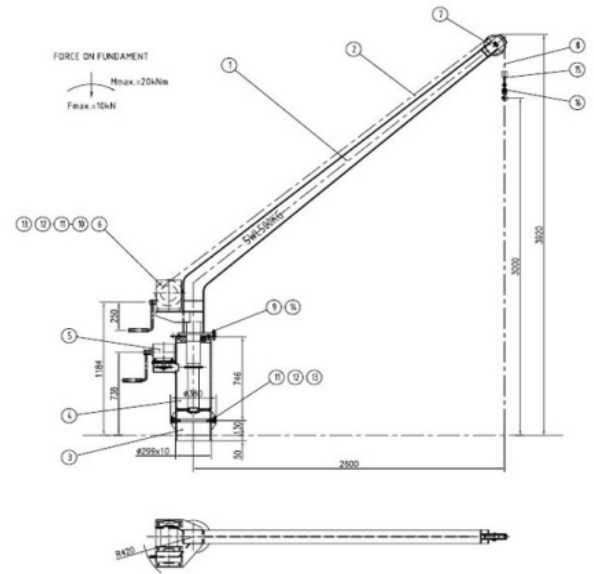


Davit Cranes

0.1Ton-3.2Ton



Specification

Model	Capacity (Kg)	Max Lifting Height (mm)	Reach Max (mm)	N.W (Kg)	G.W (Kg)	Lifting Cable (mm)	Rotation	Operation	Packing Size (cm)	Line Speed (m/min)	Voltage	Switch Cable (m)	Mounting Bases (mm)	Finish
DV01	100	2200	1100	/	/	4*4	360°	Manual or hydraulic	/	5	220/12V/ 24V DC motor	4.5	/	Powder coated
DV025	250	2400	1565	35	38	4.5*5			250*250*18	1.5		/	/	
DV05	500	1940	1490	58.5	64	4.8*4.5			140*39*35	3.6		4.2	250*250*18	
DV08	800	1940	1490	62	69	4.8*5.5			140*39*35	2		4.5	170*170*20	
DV12	1200	3200	1000	200	200	4.8*4.5			1240*230*220	3		4.2	/	
DV32	3200	6800	/	1105	1229	/			/	5.5		5.5	/	