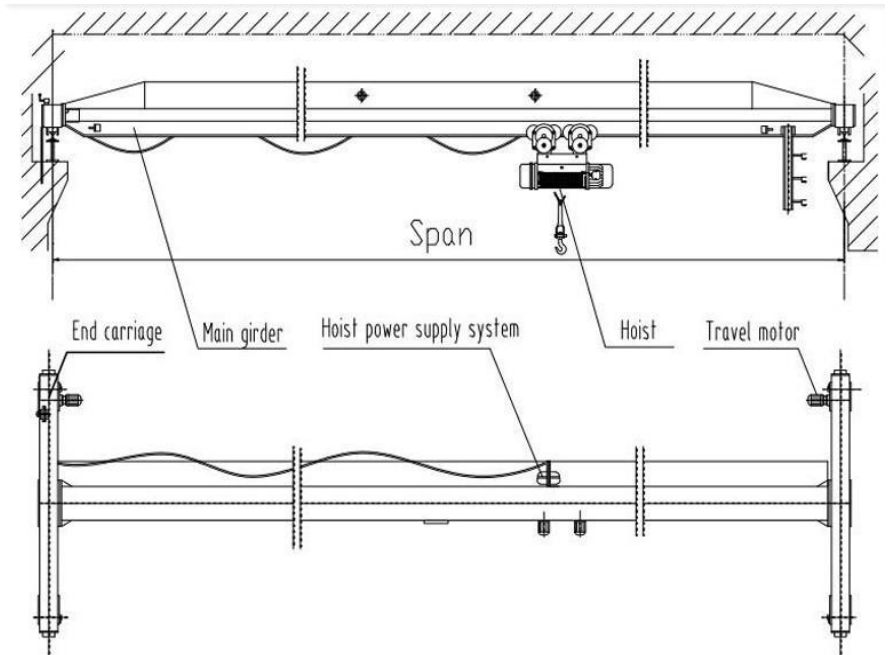
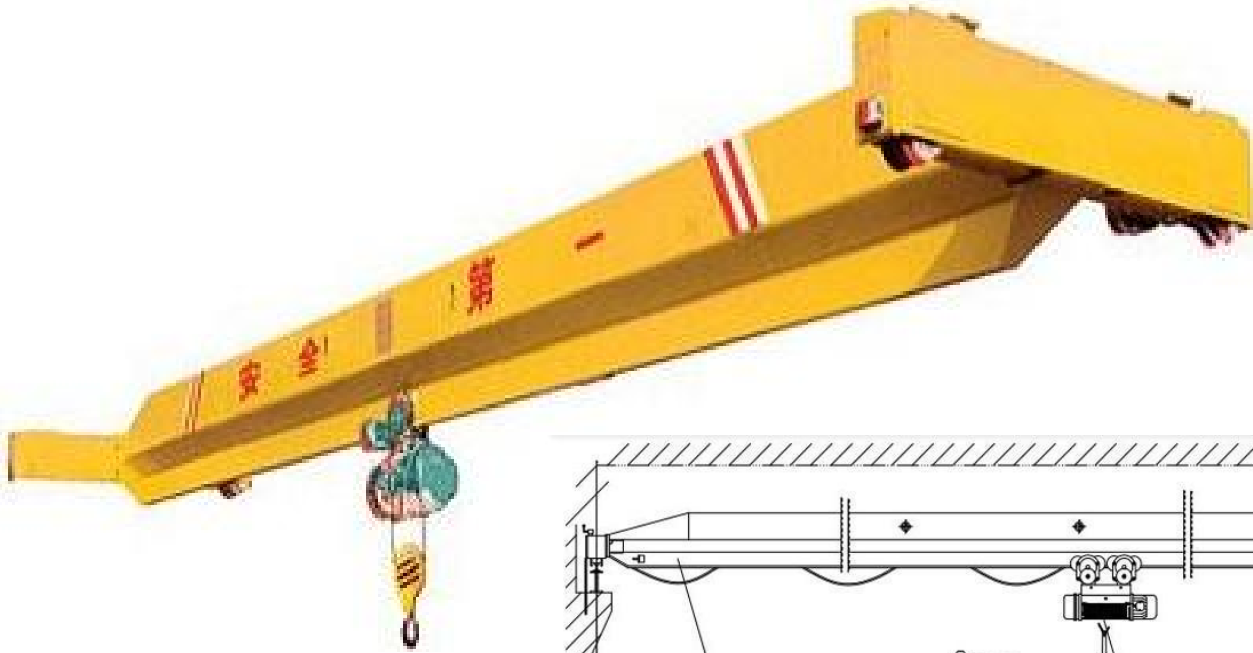


Single Girder Overhead Cranes

1Ton-20Ton



Specifications

Lifting Capacity (t)	1,2,3,5,10					16,20					
Span (m)	7.5-31.5										
Overhead Crane Travelling Mechanism	Travelling Speed(m/min)	20	30	45	60	75	20	30	45	60	75
	Reducer Ratio	58.78	39.38	26.36	19.37	15.88	58.78	39.38	26.36	19.37	15.88
	Motor Model	ZDY21-4			ZDY21-4		ZDY122-4	ZDY131S-4		ZDY112L1-4	
	Motor Power(kw)	2*0.8			2*1.5		1.5*2	2.2*2		2.2*2	
	Motor Rotation (m/min)	1380					1380				
Lifting Mechanism	Electric Hoist Model	CD1/MD1					CD1/MD1/HC				
(Electric Hoist) & Electric Hoist Travelling Mechanism	Lifting Speed (m/min)	8,8/0.8 7,7/0.7					3.5 3.5/0.35				
	Lifting Height (m)	6 ,9 ,12, 18, 24, 30					12,18,24,30				
	Travelling Speed (m/min)	20 (30)					20 (30)				
	Motor	Taper Squirrel-cage type					Taper Squirrel-cage type				
Work Duty	A3-A5										
Power Supply	380V 50HZ three phase or according to your requirements										
Wheel Diameter (mm)	270					370					
Width of Trail (mm)	37-70					37-70					