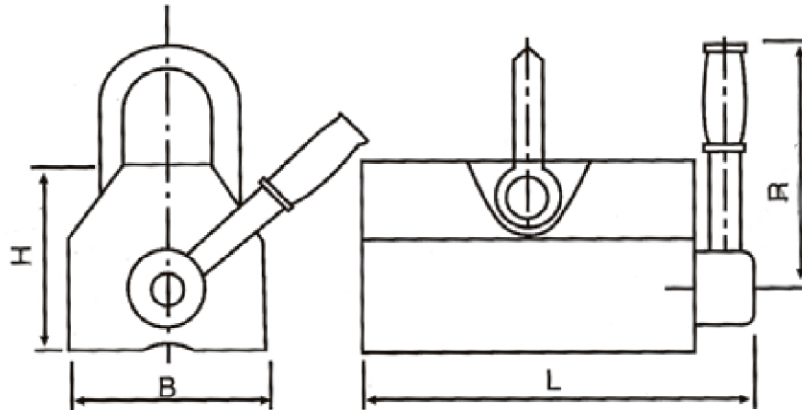


Permanent Magnetic Lifters (3 times safety factor)

100KG-5000KG



Specifications

Type	Capacity (kg)	Cylindrical Lifting Strength (kg)	Max Pull-off Strength (kg)	Weight (kg)
PML-100	100	30	300	4
PML-200	200	60	600	6
PML-300	300	100	900	11
PML-400	400	120	1200	12
PML-500	500	150	1500	18
PML-600	600	200	1800	22
PML-1000	1000	300	3000	40
PML-1500	1500	500	3750	50
PML-2000	2000	600	5000	74
PML-3000	3000	1000	7500	93
PML-4000	4000	1200	10500	121
PML-5000	5000	1500	15000	213

Dimensions (mm)

Type	Capacity (kg)	L	B	R
PML-100	100	90	63.5	145
PML-200	200	114	72	145
PML-300	300	165	88	176
PML-400	400	160	95	210
PML-500	500	216	118	219
PML-600	600	220	115	230
PML-1000	1000	260	145	280
PML-1500	1500	310	145	280
PML-2000	2000	340	160	410
PML-3000	3000	420	185	510
PML-4000	4000	480	200	510
PML-5000	5000	580	300	650