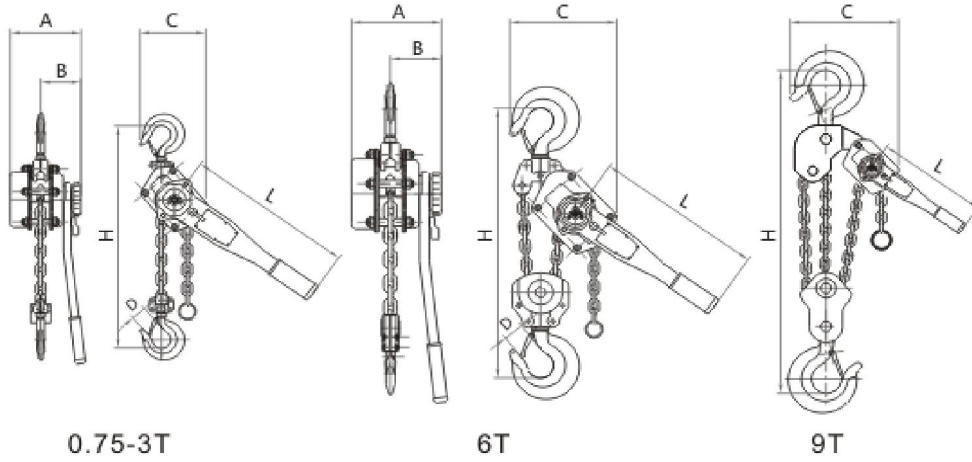


# VJ Lever Hoists

## 0.5Ton-9Ton



### Specifications

Type	Capacity (t)	Standard Lift (m)	Effort required to lift full load (N)	Load Chain	Test Load (t)	Weight (kg)	Additional Weight per 1m Lift(kg)
				Diameter (mm)×chain falls			
VJ005	0.5	1.5	120	5 × 1	0.75	3.5	0.6
VJ075	0.75		140	6 × 1	1.125	7	0.8
VJ01	1		140	6 × 1	1.5	7.5	0.8
VJ015	1.5		240	8 × 1	2.25	11	1.4
VJ02	2		240	8 × 1	3	11.5	1.4
VJ03	3		320	10 × 1	4.5	19	2.2
VJ06	6		340	10× 2	9	32	4.4
VJ09	9		360	10× 3	13.5	47	6.6

### Dimensions (mm)

Type	Capacity (t)	A	B	C	D	L	H
VJ005	0.5	102	80	95	28	275	260
VJ008	0.8	148	88	135	32	290	320
VJ01	1	148	88	135	32	290	320
VJ016	1.6	176	102	155	36	415	380
VJ025	2.5	176	102	155	36	415	380
VJ032	3.2	195	109	211	46	415	480
VJ063	6.3	195	109	254	46	415	600
VJ09	9	195	109	319	57	415	700