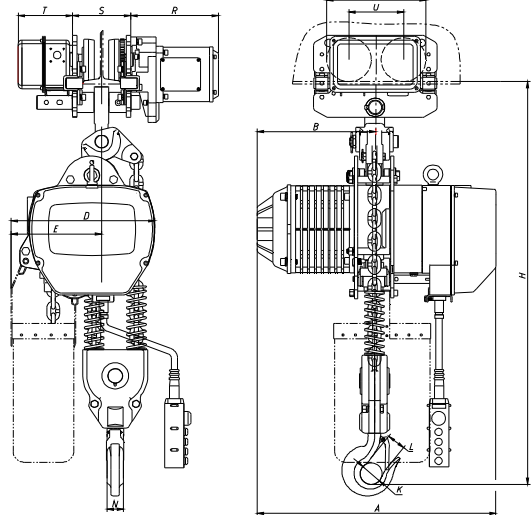


## RM Electric Chain Hoists (With Electric Trolley)

## 0.5Ton-10Ton



## Specifications

Type	Capacity (t)	Lifting Speed (m/min)		Standard Lift (m)	Lifting Motor		Traversing Motor			Load Chain Diameter (mm) ×chain falls	Test Load (t)	I - beam (mm)	Weight (kg)	Additional Weight per 1m Lift (kg)	
		50Hz	60Hz		Power (kw)	Rotation speed (r/min)	Power (kw)	Rotation Speed (r/min)	Traversing Speed (m/min)						
									50Hz						60Hz
RM00501S	0.5	6.8	8.2	3	0.75	1440 (50Hz) 1728 (60Hz)	0.4	1440 (50Hz) 1728 (60Hz)	21	25	6.3 × 1	0.625	58-153	89	0.8
RM0101S	1	6.6	7.9		1.5		0.4				7.1 × 1	1.25	58-153	103	1.1
RM0102S	1	3.4	4.1		0.75		0.4				6.3 × 2	1.25	58-153	101	1.6
RM01501S	1.5	8.8	10.6		3.0		0.4				10.0 × 1	1.875	82-178	157	2.3
RM0201S	2	6.6	7.9		3.0		0.4		10.0 × 1	2.5	82-178	164	2.3		
RM0202S	2	3.3	4.0		1.5		0.4		7.1 × 2	2.5	82-178	122	2.2		
RM02501S	2.5	5.4	6.5		3.0		0.75		11.2 × 1	3.125	100-178	177	2.8		
RM0301S	3	5.4	6.5		3.0		0.75		11.2 × 1	3.75	100-178	183	2.8		
RM0302S	3	4.4	5.3		3.0		0.75		10.0 × 2	3.75	100-178	192	4.7		
RM0303S	3	2.2	2.6		1.5		0.75		7.1 × 3	3.75	100-178	146	3.3		
RM0502S	5	2.7	3.2		3.0		0.75		11.2 × 2	6.25	100-178	234	5.6		
RM07503S	7.5	1.8	2.2		3.0		0.75		11.2 × 3	9.4	100-178	369	8.4		
RM1004S	10	2.7	3.2		3.0×2		0.75		11.2 × 4	12.5	150-220	440	11.2		

## Dimensions (mm)

Type	Capacity (t)	Headroom	A	B	D	E	I	K	L	N	W	U	R	T
		H												
RM00501S	0.5	630	460	230	280	160	Φ35	Φ35	25	17	206	111	142	231
RM0101S	1	650	520	260	300	176	Φ40	Φ40	32	24	206	111	142	231
RM0102S	1	695	460	230	280	205	Φ40	Φ40	31	24	206	111	142	231
RM01501S	1.5	770	615	295	430	265	Φ47	Φ47	40	30	237	127	142	231
RM0201S	2	770	615	295	430	265	Φ47	Φ47	40	30	237	127	142	231
RM0202S	2	815	520	260	300	236	Φ36	Φ47	38	30	237	127	142	231
RM02501S	2.5	830	615	295	430	265	Φ58	Φ58	48	36	265	140	142	231
RM0301S	3	830	615	295	430	265	Φ58	Φ58	48	36	265	140	142	231
RM0302S	3	930	615	295	430	320	Φ43	Φ58	47	36	265	140	142	231
RM0303S	3	940	520	260	350	205	Φ43	Φ58	47	36	265	140	142	231
RM0502S	5	1015	615	295	430	325	Φ54	Φ60	48	43	296	156	142	231
RM07503S	7.5	1200	615	295	505	320	Φ54	Φ85	80	55	295	156	142	231
RM1004S	10	1190	630	315	/	890	Φ70	Φ85	80	55	366	191	142	231