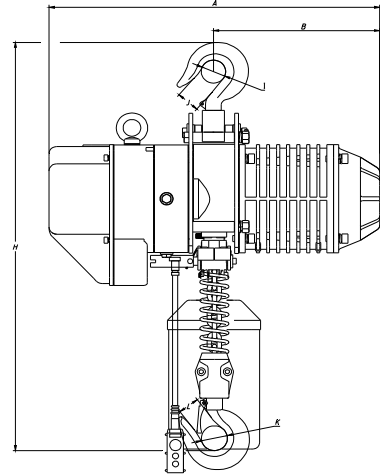
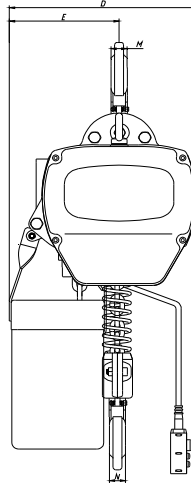


RM Electric Chain Hoists (With Hook Suspension)

0.5Ton-10Ton

Specifications

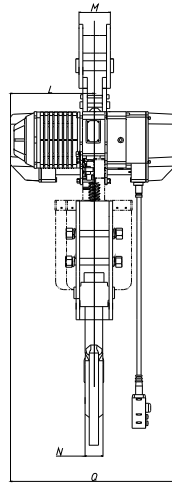
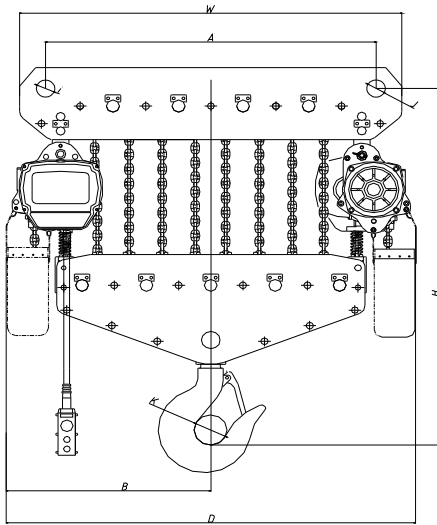
Type	Capacity (t)	Lifting Speed (m/min)		Standard Lift (m)	Lifting Motor		Load Chain Diameter (mm) ×chain falls	Test Load (t)	Weight (kg)	Additional Weight per 1m Lift (kg)
		50Hz	60Hz		Power (kw)	Rotation Speed (r/min)				
RM00501S	0.5	6.8	8.2	3	0.75	1440 (50Hz) 1728 (60Hz)	6.3 × 1	0.625	47	0.8
RM0101S	1	6.6	7.9		1.5		7.1 × 1	1.25	61	1.1
RM0102S	1	3.4	4.1		0.75		6.3 × 2	1.25	52	1.6
RM01501S	1.5	8.8	10.6		3.0		10.0 × 1	1.875	108	2.3
RM0201S	2	6.6	7.9		3.0		10.0 × 1	2.5	115	2.3
RM0202S	2	3.3	4.0		1.5		7.1 × 2	2.5	73	2.2
RM02501S	2.5	5.4	6.5		3.0		11.2 × 1	3.125	116	2.8
RM0301S	3	5.4	6.5		3.0		11.2 × 1	3.75	122	2.8
RM0302S	3	4.4	5.3		3.0		10.0 × 2	3.75	131	4.7
RM0303S	3	2.2	2.6		1.5		7.1 × 3	3.75	85	3.3
RM0502S	5	2.7	3.2		3.0		11.2 × 2	6.25	151	5.6
RM07503S	7.5	1.8	2.2		3.0		11.2 × 3	9.4	266	8.4
RM1004S	10	2.7	3.2		3.0×2		11.2 × 4	12.5	300	11.2

Dimensions (mm)

Type	Capacity (t)	Headroom	A	B	D	E	I	J	K	L	M	N
		H										
RM00501S	0.5	550	460	230	280	160	Φ35	25	Φ35	25	17	17
RM0101S	1	650	520	260	300	176	Φ40	31	Φ40	31	22	22
RM0102S	1	670	460	230	280	205	Φ40	31	Φ40	31	22	22
RM01501S	1.5	800	615	295	430	265	Φ47	40	Φ47	38	30	30
RM0201S	2	800	615	295	430	265	Φ47	40	Φ47	38	30	30
RM0202S	2	835	520	260	300	236	Φ47	38	Φ47	38	30	30
RM02501S	2.5	845	615	295	430	265	Φ58	47	Φ58	47	36	36
RM0301S	3	845	615	295	430	265	Φ58	47	Φ58	47	36	36
RM0302S	3	950	615	295	430	320	Φ58	47	Φ58	47	36	36
RM0303S	3	950	520	260	350	205	Φ59	48	Φ59	48	35	35
RM0502S	5	1030	615	295	430	325	Φ60	48	Φ60	48	43	43
RM07503S	7.5	1200	615	295	505	320	Φ85	31	Φ85	80	85	55
RM1004S	10	1400	630	315	/	890	Φ85	80	Φ85	80	104	55

RM Electric Chain Hoists (With Bolts)

15Ton-35Ton



Specifications

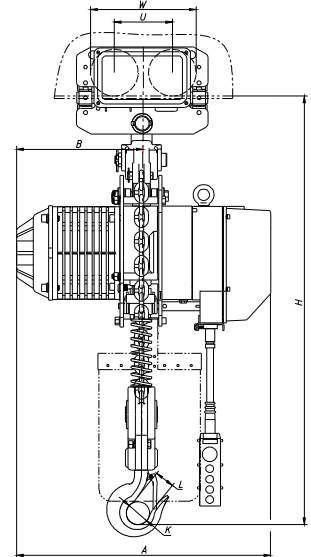
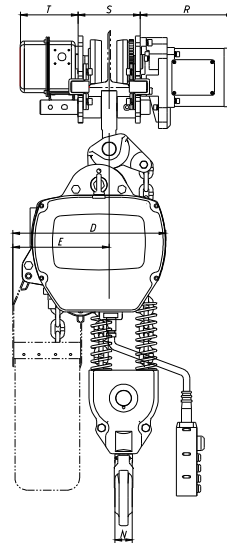
Type	Capacity (t)	Lifting Speed (m/min)		Standard Lift (m)	Lifting Motor		Load Chain	Test Load (t)	Weight (kg)	Additional Weight per 1m Lift(kg)
		50Hz	60Hz		Power (kw)	Rotation Speed (r/min)	Diameter (mm) ×chain falls			
RM1506S	15	1.8	2.2	3	3.0×2	1440 (50Hz) 1728 (60Hz)	11.2 × 6	18.75	400	17
RM2008S	20	1.4	1.7		3.0×2		11.2 × 8	25	480	22
RM2510S	25	1.1	1.3		3.0×2		11.2 × 10	31.25	540	28
RM3012S	30	0.9	1.1		3.0×2		11.2 × 12	37.5	1050	34
RM3516S	35	0.7	0.8		3.0×2		11.2 × 16	43.75	1250	45

Dimensions (mm)

Type	Capacity (t)	Headroom	A	B	E	I	J	K	L	Q	M	N
		H										
RM1506S	15	1310	630	315	535	Φ54	Φ54	Φ120	96	560	88	78
RM2008S	20	1470	630	315	630	Φ70	Φ70	Φ150	115	740	88	98
RM2510S	25	1580	630	315	725	Φ70	Φ70	Φ150	115	830	88	95
RM3012S	30	1640	740	315	1300	Φ100	Φ100	Φ140	95	440	217	130
RM3516S	35	1790	740	315	1500	Φ100	Φ100	Φ200	140	440	217	150

RM Electric Chain Hoists (With Electric Trolley)

0.5Ton-10Ton



Specifications

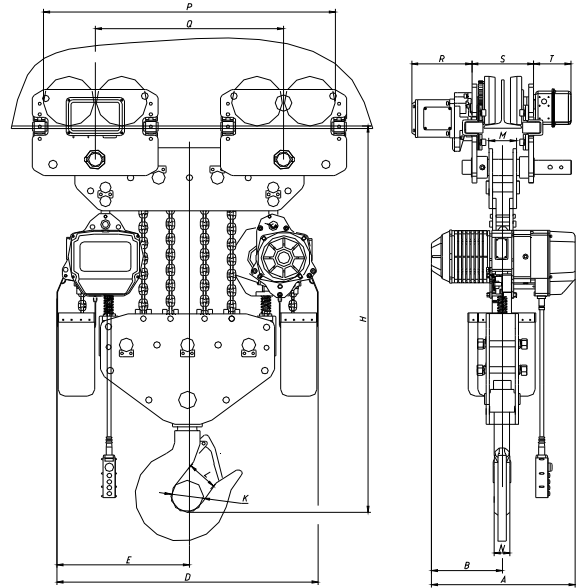
Type	Capacity (t)	Lifting Speed (m/min)		Standard Lift (m)	Lifting Motor		Traversing Motor			Load Chain Diameter (mm) ×chain falls	Test Load (t)	I - beam (mm)	Weight (kg)	Additional Weight per 1m Lift (kg)	
		50Hz	60Hz		Power (kw)	Rotation speed (r/min)	Power (kw)	Rotation Speed (r/min)	Traversing Speed (m/min)						
									50Hz						60Hz
RM00501S	0.5	6.8	8.2	3	0.75	1440 (50Hz) 1728 (60Hz)	0.4	1440 (50Hz) 1728 (60Hz)	21	25	6.3 × 1	0.625	58-153	89	0.8
RM0101S	1	6.6	7.9		1.5		0.4				7.1 × 1	1.25	58-153	103	1.1
RM0102S	1	3.4	4.1		0.75		0.4				6.3 × 2	1.25	58-153	101	1.6
RM01501S	1.5	8.8	10.6		3.0		0.4				10.0 × 1	1.875	82-178	157	2.3
RM0201S	2	6.6	7.9		3.0		0.4				10.0 × 1	2.5	82-178	164	2.3
RM0202S	2	3.3	4.0		1.5		0.4				7.1 × 2	2.5	82-178	122	2.2
RM02501S	2.5	5.4	6.5		3.0		0.75		11.2 × 1	3.125	100-178	177	2.8		
RM0301S	3	5.4	6.5		3.0		0.75		11.2 × 1	3.75	100-178	183	2.8		
RM0302S	3	4.4	5.3		3.0		0.75		10.0 × 2	3.75	100-178	192	4.7		
RM0303S	3	2.2	2.6		1.5		0.75		7.1 × 3	3.75	100-178	146	3.3		
RM0502S	5	2.7	3.2		3.0		0.75		11.2 × 2	6.25	100-178	234	5.6		
RM07503S	7.5	1.8	2.2		3.0		0.75		11.2 × 3	9.4	100-178	369	8.4		
RM1004S	10	2.7	3.2		3.0×2		0.75		11.2 × 4	12.5	150-220	440	11.2		

Dimensions (mm)

Type	Capacity (t)	Headroom	A	B	D	E	I	K	L	N	W	U	R	T
		H												
RM00501S	0.5	630	460	230	280	160	Φ35	Φ35	25	17	206	111	142	231
RM0101S	1	650	520	260	300	176	Φ40	Φ40	32	24	206	111	142	231
RM0102S	1	695	460	230	280	205	Φ40	Φ40	31	24	206	111	142	231
RM01501S	1.5	770	615	295	430	265	Φ47	Φ47	40	30	237	127	142	231
RM0201S	2	770	615	295	430	265	Φ47	Φ47	40	30	237	127	142	231
RM0202S	2	815	520	260	300	236	Φ36	Φ47	38	30	237	127	142	231
RM02501S	2.5	830	615	295	430	265	Φ58	Φ58	48	36	265	140	142	231
RM0301S	3	830	615	295	430	265	Φ58	Φ58	48	36	265	140	142	231
RM0302S	3	930	615	295	430	320	Φ43	Φ58	47	36	265	140	142	231
RM0303S	3	940	520	260	350	205	Φ43	Φ58	47	36	265	140	142	231
RM0502S	5	1015	615	295	430	325	Φ54	Φ60	48	43	296	156	142	231
RM07503S	7.5	1200	615	295	505	320	Φ54	Φ85	80	55	295	156	142	231
RM1004S	10	1190	630	315	/	890	Φ70	Φ85	80	55	366	191	142	231

RM Electric Chain Hoists (With Electric Trolley)

15Ton-25Ton



Specifications

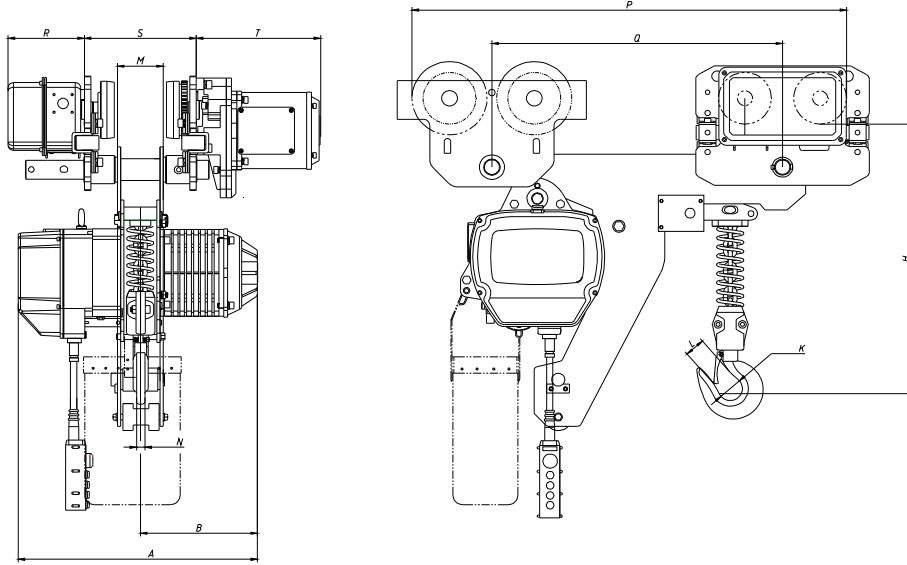
Type	Capacity (t)	Lifting Speed (m/min)		Standard Lift (m)	Lifting Motor		Traversing Motor				Load Chain Diameter (mm) × chain falls	Test Load (t)	I - beam (mm)	Weight (kg)	Additional Weight per 1m Lift (kg)			
		50Hz	60Hz		Power (kw)	Rotation Speed (r/min)	Power (kw)	Rotation Speed (r/min)	Traversing Speed (m/min)									
									50Hz	60Hz								
RM1506S	15	1.8	2.2	3	3.0×2	1440 (50Hz)	0.75×2	1440 (50Hz)	11	13	11.2 × 6	18.75	150-220	400	17			
RM2008S	20	1.4	1.7		3.0×2	1728 (60Hz)	0.75×2	1728 (60Hz)			11.2 × 8					25	480	22
RM2510S	25	1.1	1.3		3.0×2	0.75×2	0.75×2	0.75×2			11.2 × 10					31.25	540	28

Dimensions (mm)

Type	Capacity (t)	Headroom	A	B	D	E	I	J	K	L	M	N	P	Q	R	T
		H														
RM1506S	15	1310	630	315	1070	535	Φ54	Φ54	Φ120	96	88	78	926	560	142	231
RM2008S	20	1470	630	315	1260	630	Φ70	Φ70	Φ150	115	88	98	1106	740	142	231
RM2510S	25	1580	630	315	1260	725	Φ70	Φ70	Φ150	115	88	95	1280	830	142	231

RM Electric Chain Hoists (Ultra Low Headroom)

0.5Ton-10Ton



Specifications

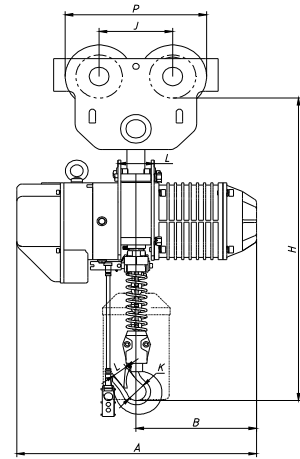
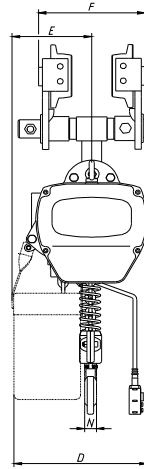
Type	Capacity (t)	Lifting Speed (m/min)		Standard Lift (m)	Lifting Motor		Traversing Motor			Load Chain Diameter (mm) ×chain falls	Test Load (t)	I - beam (mm)	Additional Weight per 1m Lift (kg)	
		50Hz	60Hz		Power (kw)	Rotation Speed (r/min)	Power (kw)	Rotation Speed (r/min)	Traversing Speed (m/min)					
									50Hz	60Hz				
RM00501SL	0.5	6.8	8.2	3	0.75	1440 (50Hz) 1728 (60Hz)	0.4	1440 (50Hz) 1728 (60Hz)	21	25	6.3 × 1	0.625	58-153	0.8
RM0101SL	1	6.6	7.9		1.5		0.4				7.1 × 1	1.25	58-153	1.1
RM01501SL	1.5	8.8	10.6		3.0		0.4				10.0 × 1	1.875	82-178	2.3
RM0201SL	2	6.6	7.9		3.0		0.4				10.0 × 1	2.5	82-178	2.3
RM0202SL	2	3.3	4.0		1.5		0.4		7.1 × 2	2.5	82-178	2.2		
RM02501SL	2.5	5.4	6.5		3.0		0.75		11	13	11.2 × 1	3.125	100-178	2.8
RM0301SL	3	5.4	6.5		3.0		0.75				11.2 × 1	3.75	100-178	2.8
RM0302SL	3	4.4	5.3		3.0		0.75				10.0 × 2	3.75	100-178	4.7
RM0502SL	5	2.7	3.2		3.0		0.75				11.2 × 2	6.25	100-178	5.6
RM07503SL	7.5	1.8	2.2		3.0		0.75				11.2 × 3	9.4	100-178	8.4
RM1004SL	10	2.7	3.2	3.0×2	0.75	11.2 × 4	12.5	150-220			11.2			

Dimensions (mm)

Type	Capacity (t)	Headroom	A	B	D	E	I	J	K	L	M	N	P	Q	R	T
		H														
RM00501S	0.5	440	460	230	/	/	Φ31	Φ31	Φ35	25	52	17	585	400	142	231
RM0101S	1	480	520	260	/	/	Φ31	Φ31	Φ40	31	56	22	630	445	142	231
RM01501S	1.5	570	615	295	/	/	Φ31	Φ36	Φ47	38	66	30	720	505	142	231
RM0201S	2	570	615	295	/	/	Φ31	Φ36	Φ47	38	66	30	720	505	142	231
RM0202S	2	535	520	260	/	/	Φ31	Φ36	Φ47	38	56	30	665	445	142	231
RM02501S	2.5	640	615	295	/	/	Φ36	Φ43	Φ58	47	73	36	775	526	142	231
RM0301S	3	640	615	295	/	/	Φ36	Φ43	Φ58	47	73	36	775	526	142	231
RM0302S	3	685	615	295	/	/	Φ36	Φ43	Φ58	47	66	36	750	503	142	231
RM0502S	5	740	615	295	/	/	Φ43	Φ54	Φ60	48	73	43	825	541	142	231
RM07503S	7.5	890	615	295	/	/	Φ43	Φ54	Φ85	80	73	55	1020	730	142	231
RM1004S	10	880	630	315	1640	820	Φ54	Φ54	Φ85	80	85	55	926	630	142	231

RM Electric Chain Hoists (With Plain Trolley)

0.5Ton-5Ton



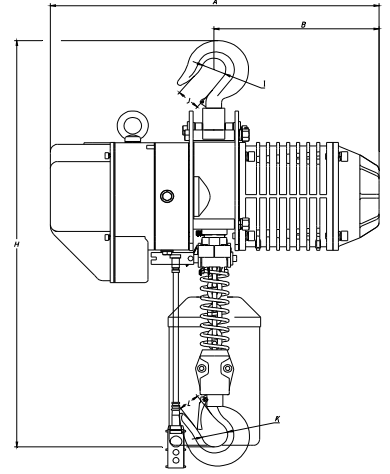
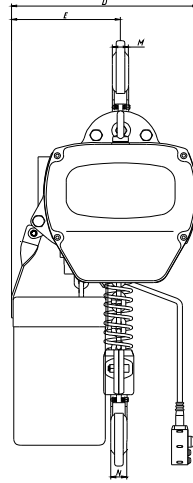
Specifications

Type	Capacity (t)	Lifting Speed (m/min)		Standard Lift (m)	Lifting Motor		Load Chain Diameter (mm) ×chain falls	Test Load (t)	I - beam (mm)	Weight (kg)	Additional Weight per 1m Lift (kg)
		50Hz	60Hz		Power (kw)	Rotation Speed (r/min)					
RM00501S	0.5	6.8	8.2	3	0.75	1440 (50Hz) 1728 (60Hz)	6.3 × 1	0.625	68-130	53	0.8
RM0101S	1	6.6	7.9		1.5		7.1 × 1	1.25	68-130	67	1.1
RM0102S	1	3.4	4.1		0.75		6.3 × 2	1.25	68-130	67	1.6
RM01501S	1.5	8.8	10.6		3.0		10.0 × 1	1.875	82-153	118	2.3
RM0201S	2	6.6	7.9		3.0		10.0 × 1	2.5	82-153	125	2.3
RM0202S	2	3.3	4.0		1.5		7.1 × 2	2.5	82-153	83	2.2
RM02501S	2.5	5.4	6.5		3.0		11.2 × 1	3.125	82-153	132	2.8
RM0301S	3	5.4	6.5		3.0		11.2 × 1	3.75	82-153	138	2.8
RM0302S	3	4.4	5.3		3.0		10.0 × 2	3.75	82-153	147	4.7
RM0303S	3	2.2	2.6		1.5		7.1 × 3	3.75	82-153	101	3.3
RM0502S	5	2.7	3.2		3.0		11.2 × 2	6.25	100-178	181	5.6

Dimensions (mm)

Type	Capacity (t)	Headroom	A	B	D	E	K	L	N	I	J	P
		H										
RM00501S	0.5	555	455	240	285	165	Φ34	28	19	Φ26	115	221
RM0101S	1	635	520	260	300	176	Φ42	32	24	Φ26	115	221
RM0102S	1	630	455	240	285	165	Φ42	32	24	Φ26	115	221
RM01501S	1.5	764	615	295	430	265	Φ49	40	30	Φ31	138	265
RM0201S	2	764	615	295	430	265	Φ49	40	30	Φ31	138	265
RM0202S	2	800	520	260	300	236	Φ49	40	30	Φ31	138	265
RM02501S	2.5	854	615	295	430	265	Φ59	48	35	Φ36	157	277
RM0301S	3	854	615	295	430	265	Φ59	48	35	Φ36	157	277
RM0302S	3	960	615	295	430	320	Φ59	48	35	Φ36	157	277
RM0303S	3	968	520	260	350	205	Φ59	48	35	Φ36	157	277
RM0502S	5	1007	615	295	430	325	Φ60	48	43	Φ43	178	332

RM Electric Chain Hoists (With Hook Suspension)

0.5Ton-10Ton

Specifications

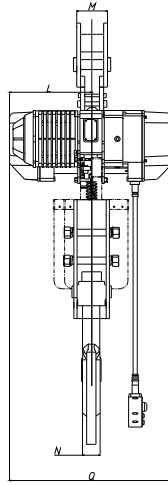
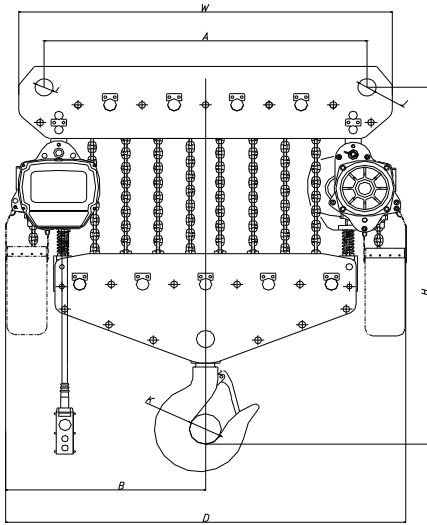
Type	Capacity (t)	Lifting Speed (m/min)		Standard Lift (m)	Lifting Motor		Load Chain Diameter (mm) ×chain falls	Test Load (t)	Weight (kg)	Additional Weight per 1m Lift (kg)
		50Hz	60Hz		Power (kw)	Rotation Speed (r/min)				
RM00501D	0.5	6.9/2.3	8.3/2.8	3	0.8/0.27	2880/960 (50Hz) 3456/1152 (60Hz)	6.3 × 1	0.625	47	0.8
RM0101D	1	6.8/2.3	8.2/2.8		1.8/0.6		7.1 × 1	1.25	61	1.1
RM0102D	1	3.5/1.2	4.2/1.4		0.8/0.27		6.3 × 2	1.25	52	1.6
RM01501D	1.5	8.9/2.9	10.7/3.5		3.0/1.0		10.0 × 1	1.875	108	2.3
RM0201D	2	6.8/2.3	8.2/2.8		3.0/1.0		10.0 × 1	2.5	115	2.3
RM0202D	2	3.3/1.1	4.0/1.3		1.8/0.6		7.1 × 2	2.5	73	2.2
RM02501D	2.5	5.4/1.8	6.5/2.2		3.0/1.0		11.2 × 1	3.125	116	2.8
RM0301D	3	5.4/1.8	6.5/2.2		3.0/1.0		11.2 × 1	3.75	122	2.8
RM0302D	3	4.5/1.5	5.4/1.8		3.0/1.0		10.0 × 2	3.75	131	4.7
RM0303D	3	2.4/0.8	2.9/1.0		1.8/0.6		7.1 × 3	3.75	85	3.3
RM0502D	5	2.7/0.9	3.2/1.1		3.0/1.0		11.2 × 2	6.25	151	5.6
RM07503D	7.5	1.8/0.6	2.2/0.7		3.0/1.0		11.2 × 3	9.4	266	8.4
RM1004D	10	2.7/0.9	3.2/1.1		3.0×2/1.0×2		11.2 × 4	12.5	300	11.2

Dimensions (mm)

Type	Capacity (t)	Headroom	A	B	D	E	I	J	K	L	M	N
		H										
RM00501D	0.5	550	545	260	280	160	Φ35	25	Φ35	25	17	17
RM0101D	1	650	582	280	300	176	Φ40	31	Φ40	31	22	22
RM0102D	1	670	545	260	280	205	Φ40	31	Φ40	31	22	22
RM01501D	1.5	800	670	313	430	265	Φ47	40	Φ47	38	30	30
RM0201D	2	800	670	313	430	265	Φ47	40	Φ47	38	30	30
RM0202D	2	835	582	280	300	236	Φ47	38	Φ47	38	30	30
RM02501D	2.5	845	670	313	430	265	Φ58	47	Φ58	47	36	36
RM0301D	3	845	670	313	430	265	Φ58	47	Φ58	47	36	36
RM0302D	3	950	670	313	430	320	Φ58	47	Φ58	47	36	36
RM0303D	3	960	582	280	350	205	Φ59	48	Φ59	48	35	35
RM0502D	5	1030	670	313	430	325	Φ60	48	Φ60	48	43	43
RM07503D	7.5	1200	675	313	505	320	Φ85	31	Φ85	80	85	55
RM1004D	10	1400	685	352	/	890	Φ85	80	Φ85	80	104	55

RM Electric Chain Hoists (With Bolts)

15Ton-35Ton



Specifications

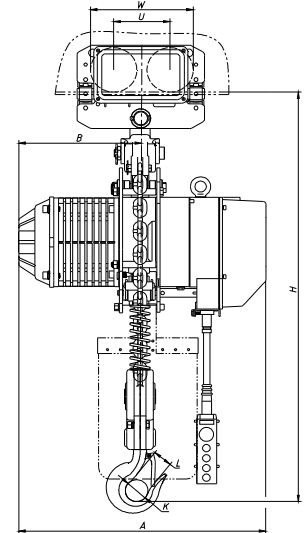
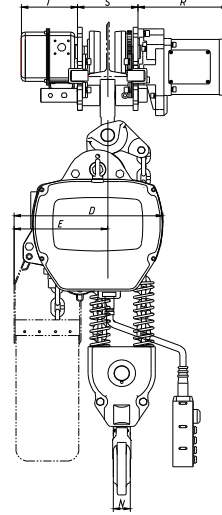
Type	Capacity (t)	Lifting Speed (m/min)		Standard Lift (m)	Lifting Motor		Load Chain Diameter (mm) × chain falls	Test Load (t)	Weight (kg)	Additional Weight per 1m Lift(kg)
		50Hz	60Hz		Power (kw)	Rotation Speed (r/min)				
RM1506D	15	1.8/0.6	2.2/0.7	3	3.0×2/1.0×2	2880/960 (50Hz) 3456/1152 (60Hz)	11.2 × 6	18.75	480	17
RM2008D	20	1.5/0.5	1.8/0.6		3.0×2/1.0×2		11.2 × 8	25	560	22
RM2510D	25	1.2/0.4	1.4/0.5		3.0×2/1.0×2		11.2 × 10	31.25	620	28
RM3012D	30	1.0/0.3	1.2/0.4		3.0×2/1.0×2		11.2 × 12	37.5	1100	34
RM3516D	35	0.7/0.25	0.8/0.3		3.0×2/1.0×2		11.2 × 16	43.75	1310	45

Dimensions (mm)

Type	Capacity (t)	Headroom	A	B	E	I	J	K	L	Q	M	N
		H										
RM1506D	15	1310	685	352	535	Φ54	Φ54	Φ120	96	560	88	78
RM2008D	20	1470	685	352	630	Φ70	Φ70	Φ150	115	740	88	98
RM2510D	25	1580	685	352	725	Φ70	Φ70	Φ150	115	740	88	98
RM3012D	30	1640	795	352	1300	Φ70	Φ70	Φ150	115	830	88	95
RM3516D	35	1790	795	352	1500	Φ100	Φ100	Φ200	140	440	217	150

RM Electric Chain Hoists (With Electric Trolley)

0.5Ton-10Ton



Specifications

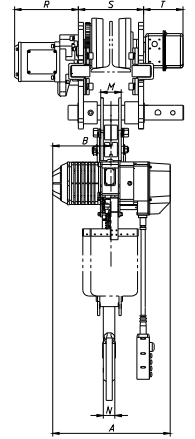
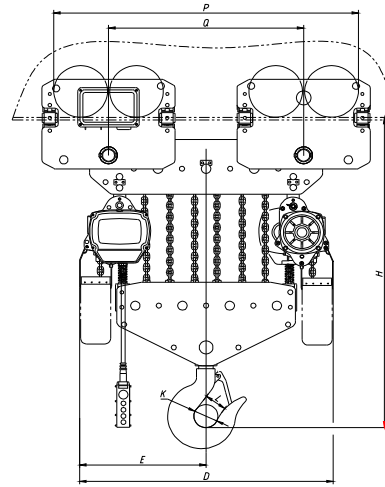
Type	Capacity (t)	Lifting Speed (m/min)		Standard Lift (m)	Lifting Motor		Traversing Motor				Load Chain Diameter (mm) ×chain falls	Test Load (t)	I - beam (mm)	Weight (kg)	Additional Weight per 1m Lift(kg)
		50Hz	60Hz		Power (kw)	Rotation Speed (r/min)	Power (kw)	Rotation Speed (r/min)	Traversing Speed (m/min)						
									50Hz	60Hz					
RM00501D	0.5	6.9/2.3	8.3/2.8	3	0.8/0.27	2880/960 (50Hz) 3456/1152 (60Hz)	0.4/0.1	2880/960 (50Hz) 3456/1152 (60Hz)	20/5	24/6	6.3 × 1	0.625	58-153	89	0.8
RM0101D	1	6.8/2.3	8.2/2.8		1.8/0.6		0.4/0.1				7.1 × 1	1.25	58-153	116	1.1
RM0102D	1	3.5/1.2	4.2/1.4		0.8/0.27		0.4/0.1				6.3 × 2	1.25	58-153	101	1.6
RM01501D	1.5	8.9/2.9	10.7/3.5		3.0/1.0		0.4/0.1				10.0 × 1	1.875	82-178	193	2.3
RM0201D	2	6.8/2.3	8.2/2.8		3.0/1.0		0.4/0.1				10.0 × 1	2.5	82-178	199	2.3
RM0202D	2	3.3/1.1	4.0/1.3		1.8/0.6		0.4/0.1				7.1 × 2	2.5	82-178	135	2.2
RM02501D	2.5	5.4/1.8	6.5/2.2		3.0/1.0		0.75/0.18				11.2 × 1	3.125	100-178	209	2.8
RM0301D	3	5.4/1.8	6.5/2.2		3.0/1.0		0.75/0.18				11.2 × 1	3.75	100-178	220	2.8
RM0302D	3	4.5/1.5	5.4/1.8		3.0/1.0		0.75/0.18				10.0 × 2	3.75	100-178	229	4.7
RM0303D	3	2.4/0.8	2.9/1.0		1.8/0.6		0.75/0.18				7.1 × 3	3.75	100-178	163	3.3
RM0502D	5	2.7/0.9	3.2/1.1		3.0/1.0		0.75/0.18				11.2 × 2	6.25	100-178	267	5.6
RM07503D	7.5	1.8/0.6	2.2/0.7		3.0/1.0		0.75/0.18				11.2 × 3	9.4	100-178	408	8.4
RM1004D	10	2.7/0.9	3.2/1.1		3.0×2/1.0×2		0.75/0.18				11.2 × 4	12.5	150-220	520	11.2

Dimensions (mm)

Type	Capacity (t)	Headroom	A	B	D	E	I	K	L	N	W	U	R	T
		H												
RM00501D	0.5	630	545	260	280	160	Φ35	Φ35	25	17	206	111	142	231
RM0101D	1	650	582	280	300	176	Φ40	Φ40	32	24	206	111	142	231
RM0102D	1	695	545	260	280	205	Φ40	Φ40	31	24	206	111	142	231
RM01501D	1.5	770	670	313	430	265	Φ47	Φ47	40	30	237	127	142	231
RM0201D	2	770	670	313	430	265	Φ47	Φ47	40	30	237	127	142	231
RM0202D	2	815	582	280	300	236	Φ36	Φ47	38	30	237	127	142	231
RM02501D	2.5	830	670	313	430	265	Φ58	Φ58	48	36	265	140	142	231
RM0301D	3	830	670	313	430	265	Φ58	Φ58	48	36	265	140	142	231
RM0302D	3	930	670	313	430	320	Φ43	Φ58	47	36	265	140	142	231
RM0303D	3	940	582	280	350	205	Φ43	Φ58	47	36	265	140	142	231
RM0502D	5	1015	670	313	430	325	Φ54	Φ60	48	43	296	156	142	231
RM07503D	7.5	1200	670	313	505	320	Φ54	Φ85	80	55	295	156	142	231
RM1004D	10	1190	685	352	/	890	Φ70	Φ85	80	55	366	191	142	231

RM Electric Chain Hoists (With Electric Trolley)

15Ton-25Ton



Specifications

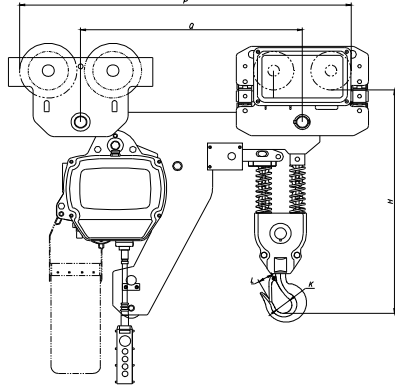
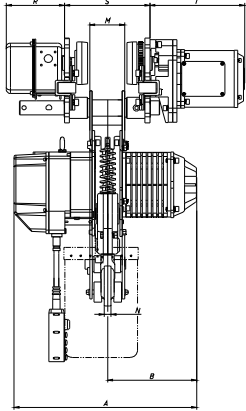
Type	Capacity (t)	Lifting Speed (m/min)		Standard Lift (m)	Lifting Motor		Traversing Motor				Load Chain Diameter (mm) × chain falls	Test Load (t)	I - beam (mm)	Weight (kg)	Additional Weight per 1m Lift (kg)
		50Hz	60Hz		Power (kw)	Rotation Speed (r/min)	Power (kw)	Rotation Speed (r/min)	Traversing Speed (m/min)						
									50Hz	60Hz					
RM1506D	15	1.8/0.6	2.2/0.7	3	3.0×2/1.0×2	2880/960 (50Hz) 3456/1152 (60Hz)	0.75×2/0.18×2	2880/960 (50Hz) 3456/1152 (60Hz)	20/5	24/6	11.2 × 6	18.75	150-220	480	17
RM2008D	20	1.5/0.5	1.8/0.6		3.0×2/1.0×2	0.75×2/0.18×2	11.2 × 8	25	150-220	560	22				
RM2510D	25	1.2/0.4	1.4/0.5		3.0×2/1.0×2	0.75×2/0.18×2	11.2 × 10	31.25	150-220	620	28				

Dimensions (mm)

Type	Capacity (t)	Headroom	A	B	D	E	I	J	K	L	M	N	P	Q	R	T
		H														
RM1506D	15	1310	685	352	1070	535	Φ54	Φ54	Φ120	96	88	78	926	560	142	231
RM2008D	20	1470	685	352	1260	630	Φ70	Φ70	Φ150	115	88	98	1106	740	142	231
RM2510D	25	1580	685	352	1260	725	Φ70	Φ70	Φ150	115	88	95	1280	830	142	231

RM Electric Chain Hoists (Ultra Low Headroom)

0.5Ton-10Ton



Specifications

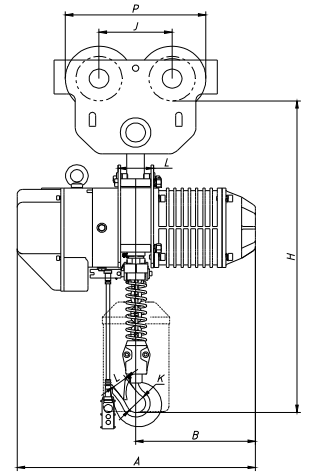
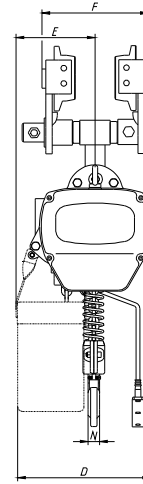
Type	Capacity (t)	Lifting Speed (m/min)		Standard Lift (m)	Lifting Motor		Traversing Motor			Load Chain	Test Load (t)	I - beam (mm)	Additional Weight per 1m Lift (kg)	
		50Hz	60Hz		Power (kw)	Rotation Speed (r/min)	Power (kw)	Rotation Speed (r/min)	Traversing Speed (m/min)					
														Diameter (mm)
RM00501DL	0.5	6.9/2.3	8.3/2.8	3	0.8/0.27	2880/960 (50Hz) 3456/1152 (60Hz)	0.4/0.1	2880/960 (50Hz) 3456/1152 (60Hz)	20/5	24/6	6.3 × 1	0.625	58-153	0.8
RM0101DL	1	6.8/2.3	8.2/2.8		1.8/0.6		0.4/0.1				7.1 × 1	1.25	58-153	1.1
RM01501DL	1.5	8.9/2.9	10.7/3.5		3.0/1.0		0.4/0.1				10.0 × 1	1.875	82-178	2.3
RM0201D	2	6.8/2.3	8.2/2.8		3.0/1.0		0.4/0.1				10.0 × 1	2.5	82-178	2.3
RM0202DL	2	3.3/1.1	4.0/1.3		1.8/0.6		0.4/0.1				7.1 × 2	2.5	82-178	2.2
RM02501DL	2.5	5.4/1.8	6.5/2.2		3.0/1.0		0.75/0.18				11.2 × 1	3.125	100-178	2.8
RM0301DL	3	5.4/1.8	6.5/2.2		3.0/1.0		0.75/0.18				11.2 × 1	3.75	100-178	2.8
RM0302DL	3	4.5/1.5	5.4/1.8		3.0/1.0		0.75/0.18				10.0 × 2	3.75	100-178	4.7
RM0502DL	5	2.7/0.9	3.2/1.1		3.0/1.0		0.75/0.18				11.2 × 2	6.25	100-178	5.6
RM07503DL	7.5	1.8/0.6	2.2/0.7		3.0/1.0		0.75/0.18				11.2 × 3	9.4	100-178	8.4
RM1004DL	10	2.7/0.9	3.2/1.1	3.0×2/1.0×2	0.75/0.18	11.2 × 4	12.5	150-220	11.2					

Dimensions (mm)

Type	Capacity (t)	Headroom	A	B	D	E	I	J	K	L	M	N	P	Q	R	T
		H														
RM00501DL	0.5	440	545	260	/	/	Φ31	Φ31	Φ35	25	52	17	585	400	142	231
RM0101DL	1	480	582	280	/	/	Φ31	Φ31	Φ40	31	56	22	630	445	142	231
RM01501DL	1.5	570	670	313	/	/	Φ31	Φ36	Φ47	38	66	30	720	505	142	231
RM0201DL	2	570	670	313	/	/	Φ31	Φ36	Φ47	38	66	30	720	505	142	231
RM0202DL	2	535	582	280	/	/	Φ31	Φ36	Φ47	38	56	30	665	445	142	231
RM02501DL	2.5	640	670	313	/	/	Φ36	Φ43	Φ58	47	73	36	775	526	142	231
RM0301DL	3	640	670	313	/	/	Φ36	Φ43	Φ58	47	73	36	775	526	142	231
RM0302DL	3	685	670	313	/	/	Φ36	Φ43	Φ58	47	66	36	750	503	142	231
RM0502DL	5	740	670	313	/	/	Φ43	Φ54	Φ60	48	73	43	825	541	142	231
RM07503DL	7.5	890	670	313	/	/	Φ43	Φ54	Φ85	80	73	55	1020	730	142	231
RM1004DL	10	880	670	388	1640	820	Φ54	Φ54	Φ85	80	85	55	926	630	142	231

RM Electric Chain Hoists (With Plain Trolley)

0.5Ton-5Ton



Specifications

Type	Capacity (t)	Lifting Speed (m/min)		Standard Lift (m)	Lifting Motor		Load Chain Diameter (mm) x chain falls	Test Load (t)	I - beam (mm)	Weight (kg)	Additional Weight per 1m Lift (kg)
		50Hz	60Hz		Power (kw)	Rotation Speed (r/min)					
RM00501D	0.5	6.9/2.3	8.3/2.8	3	0.8/0.27	2880/960 (50Hz) 3456/1152 (60Hz)	6.3 × 1	0.625	68-130	53	0.8
RM0101D	1	6.8/2.3	8.2/2.8		1.8/0.6		7.1 × 1	1.25	68-130	67	1.1
RM0102D	1	3.5/1.2	4.2/1.4		0.8/0.27		6.3 × 2	1.25	68-130	67	1.6
RM01501D	1.5	8.9/2.9	10.7/3.5		3.0/1.0		10.0 × 1	1.875	82-153	118	2.3
RM0201D	2	6.8/2.3	8.2/2.8		3.0/1.0		10.0 × 1	2.5	82-153	125	2.3
RM0202D	2	3.3/1.1	4.0/1.3		1.8/0.6		7.1 × 2	2.5	82-153	83	2.2
RM02501D	2.5	5.4/1.8	6.5/2.2		3.0/1.0		11.2 × 1	3.125	82-153	132	2.8
RM0301D	3	5.4/1.8	6.5/2.2		3.0/1.0		11.2 × 1	3.75	82-153	138	2.8
RM0302D	3	4.5/1.5	5.4/1.8		3.0/1.0		10.0 × 2	3.75	82-153	147	4.7
RM0303D	3	2.4/0.8	2.9/1.0		1.8/0.6		7.1 × 3	3.75	82-153	101	3.3
RM0502D	5	2.7/0.9	3.2/1.1		3.0/1.0		11.2 × 2	6.25	100-178	181	5.6

Dimensions (mm)

Type	Capacity (t)	Headroom	A	B	D	E	K	L	N	I	J	P
		H										
RM00501D	0.5	555	545	260	285	165	Φ34	28	19	Φ26	115	221
RM0101D	1	635	582	280	300	176	Φ42	32	24	Φ26	115	221
RM0102D	1	630	545	260	285	165	Φ42	32	24	Φ26	115	221
RM01501D	1.5	764	670	313	430	265	Φ49	40	30	Φ31	138	265
RM0201D	2	764	670	313	430	265	Φ49	40	30	Φ31	138	265
RM0202D	2	800	582	280	300	236	Φ49	40	30	Φ31	138	265
RM02501D	2.5	854	670	313	430	265	Φ59	48	35	Φ36	157	277
RM0301D	3	854	670	313	430	265	Φ59	48	35	Φ36	157	277
RM0302D	3	960	670	313	430	320	Φ59	48	35	Φ36	157	277
RM0303D	3	968	582	280	350	205	Φ59	48	35	Φ36	157	277
RM0502D	5	1007	670	313	430	325	Φ60	48	43	Φ43	178	332