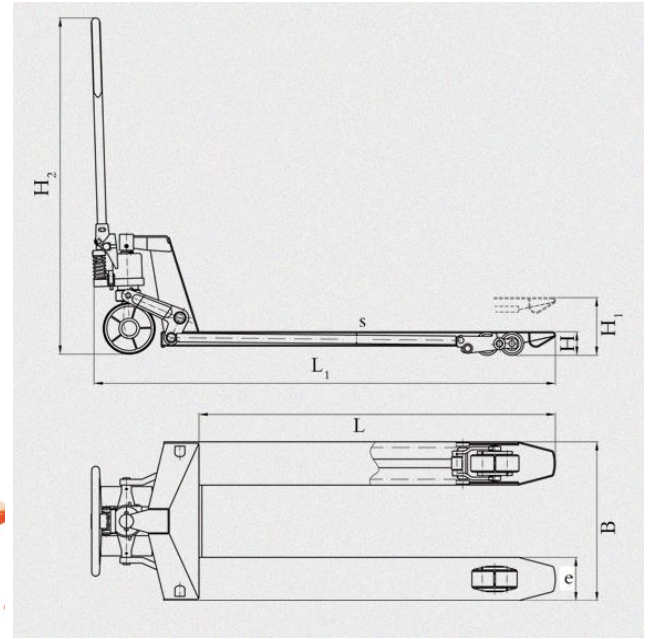


Hand Pallet Trucks

2Ton-5Ton



Specifications

Type	Capacity(t)	Min.Fork Height	Max.Fork Height	Max. Lifting Height	Fork Size	Loading Wheel	Steering Wheel	Material of wheel	Weight(kg)
HPT02A HPT02B	2	80	200	≥110	150*55	φ80*70	φ180*50	Nylon/PU/Rubber	68 70
HPT025A HPT025B	2.5				150*55				73 75
HPT03A HPT03B	3				160*60				78 80
HPT05	5				160*60				130

Dimensions (mm)

Type	Capacity(t)	B	L	e	H1	H	s	H2 min./max.	L1
HPT02A HPT02B	2	550 685	1200	160	230	85 75	3	715/1280	1588
HPT025A HPT025B	2.5	550 685			365 75	3			
HPT03A HPT03B	3	550 685			365 75	4			
HPT05	5	685			370 85	16			