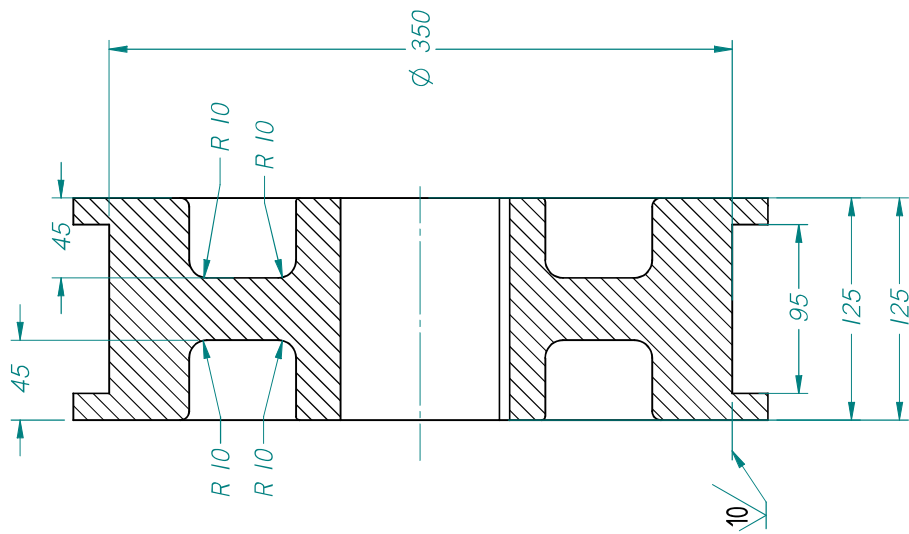
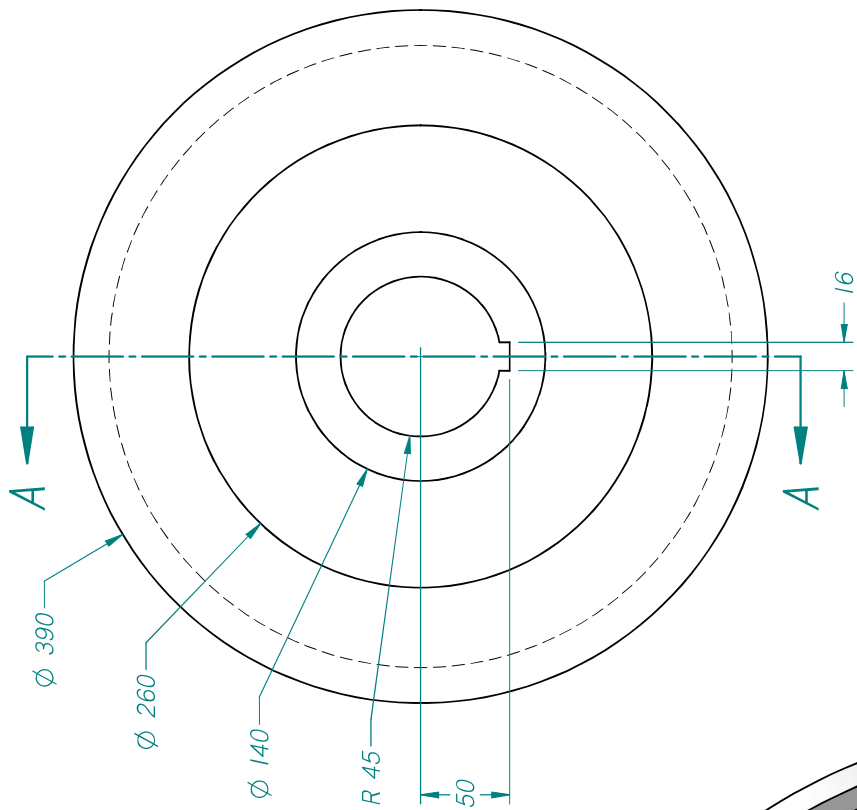
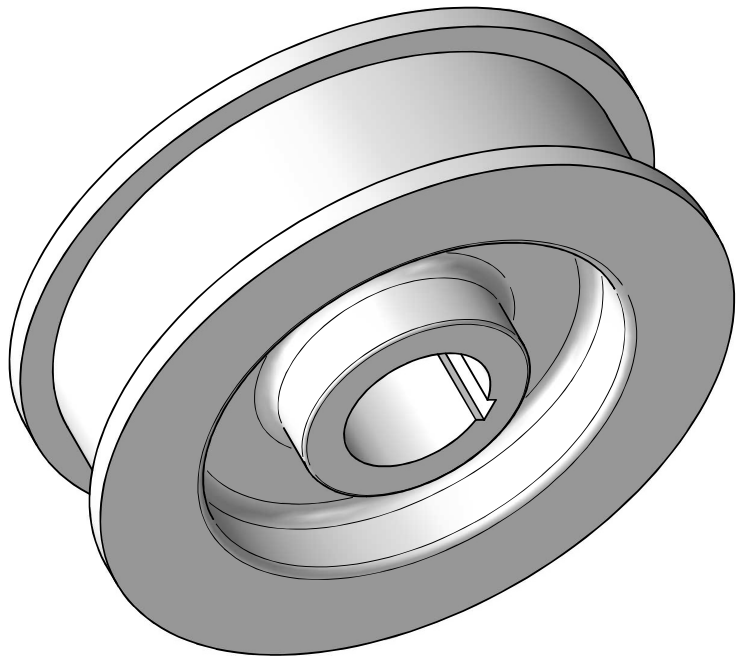


REVISION HISTORY		DATE	APPROVED
REV	DESCRIPTION		



SECTION A-A



DRAWN	NAME	DATE	
CHECKED		06/24/21	
ENG APPR			
MGR APPR			
	TITLE	Wheel	
	SIZE	GGG70	
	REV	AS-16TX20-EC14	
	FILE NAME	AS-BC16TX20-EC14.dft	QTY. 4
	SCALE	2 PL #XXX 3 PL #XXX	
	WEIGHT	67 Kg	
	SHEET	1 OF 1	